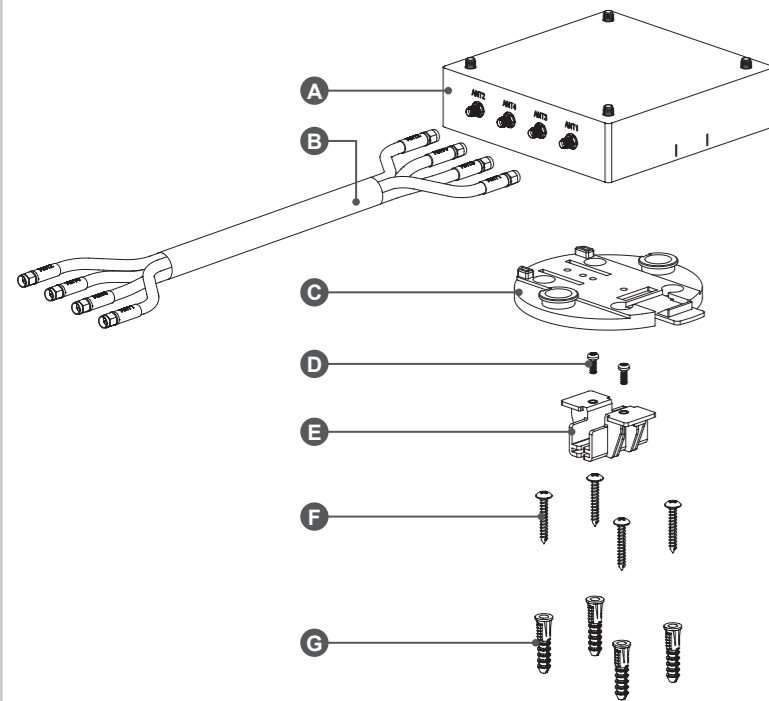


# Quick Setup Guide >

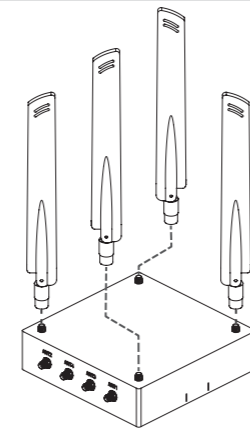
## Extended Antenna Mount

- A** Extended Antenna Mount x1
- B** Cable x 4
- C** Mounting Bracket x 1
- D** Screw for Hook x 2
- E** Hook x 2
- F** Screw for Mounting x 4
- G** Anchor for Mounting x 4

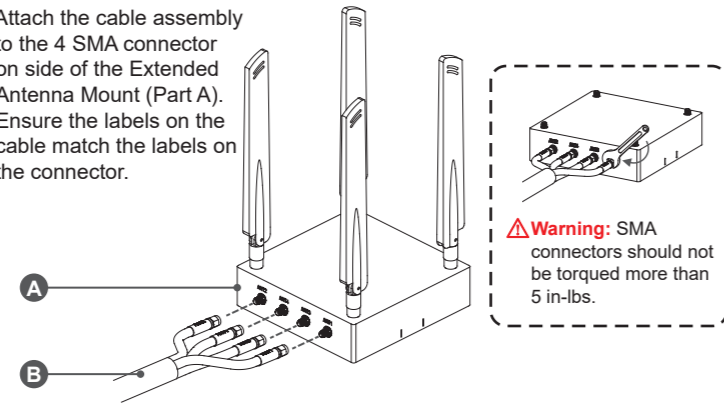


### Wall Mount Assembly

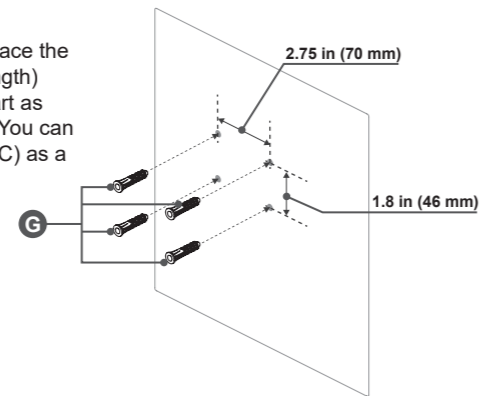
1. Connect the four paddle antennas to the Extended Antenna Mount (Part A) ports. Ensure the antennas are securely screwed in for optimal performance as illustrated below.



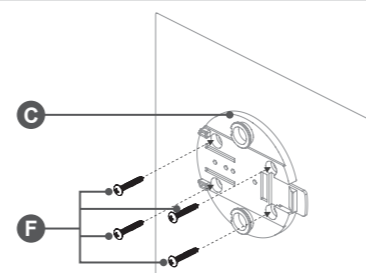
2. Attach the cable assembly to the 4 SMA connector on side of the Extended Antenna Mount (Part A). Ensure the labels on the cable match the labels on the connector.



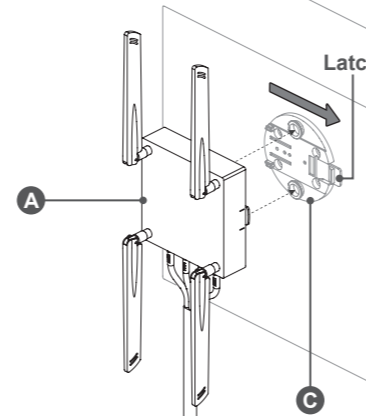
3. Drill 4 holes on wall and place the 4 anchors 2.75 inches (length) and 1.8 inches (width) apart as illustrated below (Part G). You can also use the bracket (part C) as a guide for drilling holes.



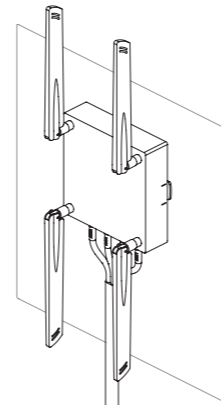
4. Align the holes on Mounting Bracket (Part C) and ensure it is firmly secured on the wall through the screws (Part F).



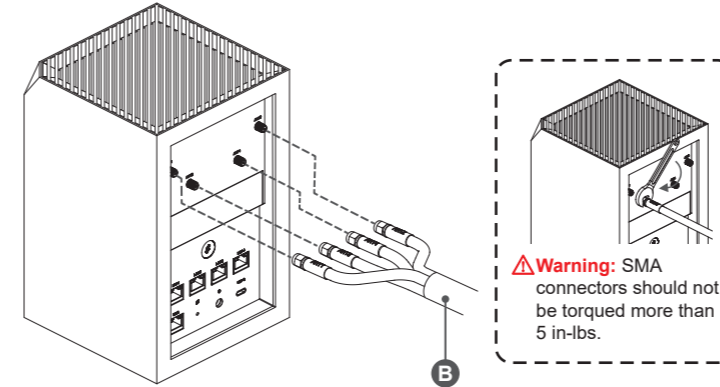
5. Combine the Extended Antenna Mount (Part A) to the bracket (Part C) on the wall, and slide it towards the bracket latch until you hear a clicking sound.



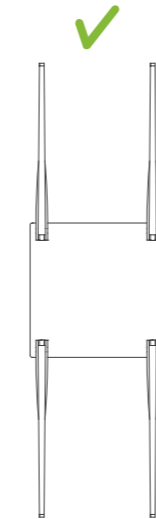
6. Complete assembly.



7. Attach the other end of the cables to 4 SMA connectors on the back of the Business Internet Gateway. Ensure the labels on the cable match the labels on the connector.

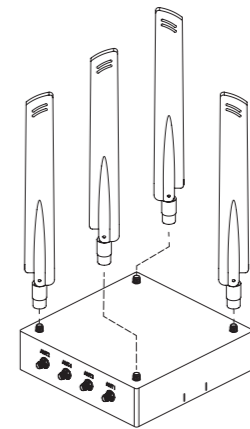


• Position the antennas as illustrated below. Ensure the Mount is firmly secured on the wall with screw.

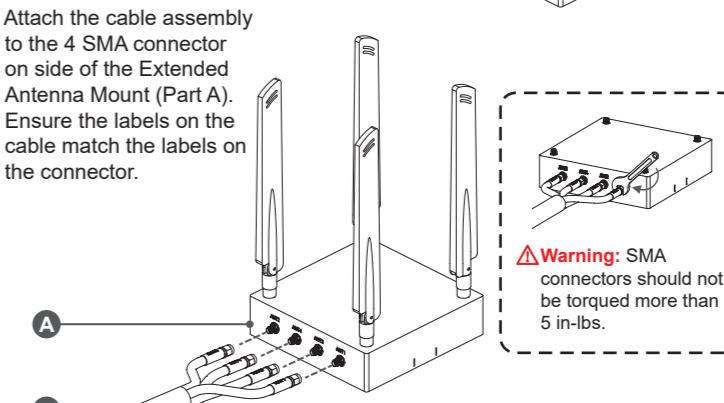


### Ceiling Mount Assembly

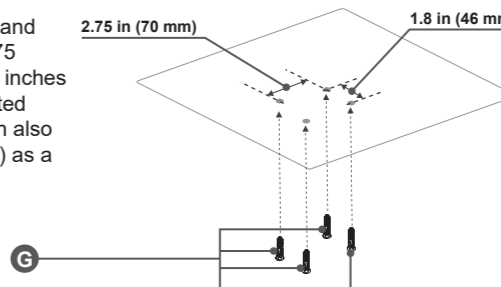
1. Connect the four paddle antennas to the Extended Antenna Mount (Part A) ports. Ensure the antennas are securely screwed in for optimal performance as illustrated below.



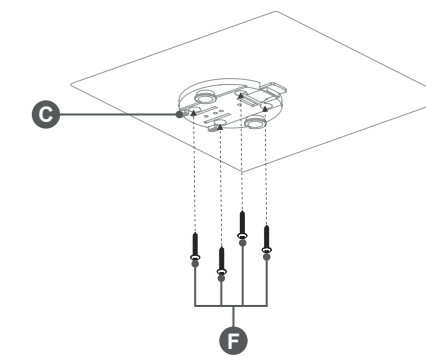
2. Attach the cable assembly to the 4 SMA connector on side of the Extended Antenna Mount (Part A). Ensure the labels on the cable match the labels on the connector.



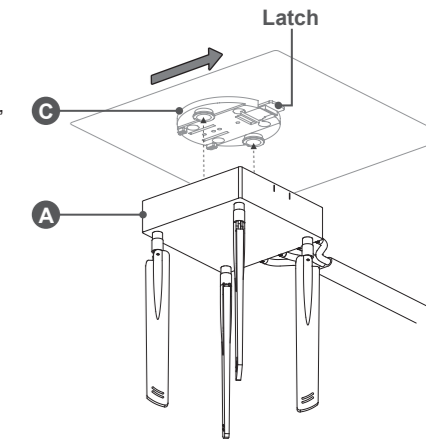
3. Drill 4 holes on Ceiling and place the 4 anchors 2.75 inches (length) and 1.8 inches (width) apart as illustrated below (Part G). You can also use the bracket (part C) as a guide for drilling holes.



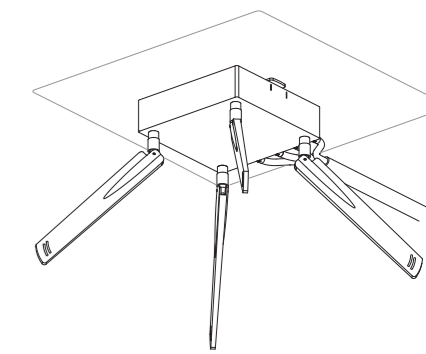
4. Align the holes on back of the Mounting Bracket (Part C) to ensure it is firmly secured on the ceiling through screws (Part F).



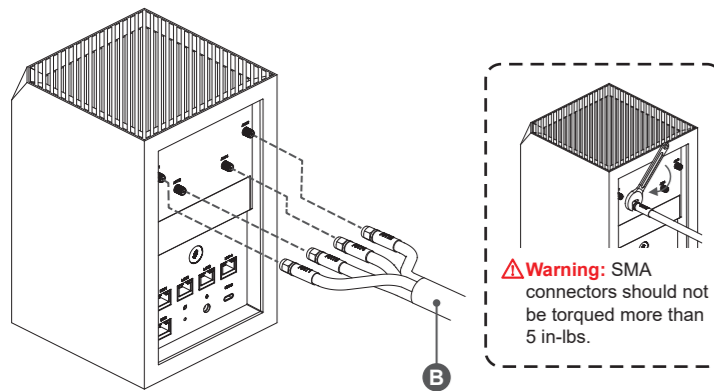
5. Combine the Extended Antenna Mount (Part A) to the bracket (Part C) on the ceiling, and slide it towards the bracket latch until you hear a clicking sound.



6. Complete assembly.

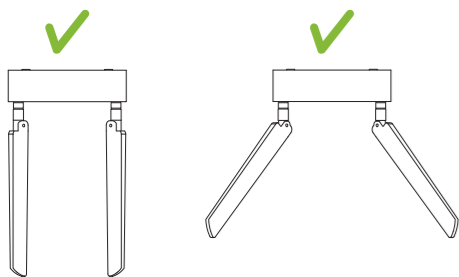


7. Attach the other end of the cables to 4 SMA connectors on the back of the Business Internet Gateway.

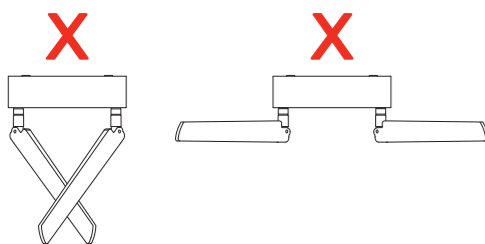


**Warning:** SMA connectors should not be torqued more than 5 in-lbs.

• Position the antennas as illustrated below. Ensure the Mount is firmly secured on the ceiling through screw.

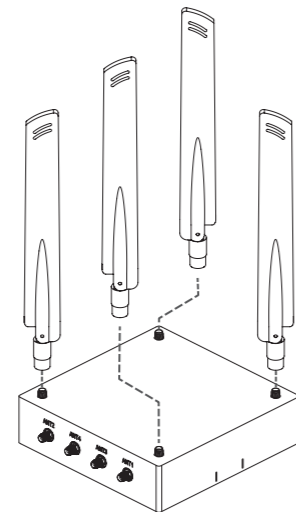


**Warning:** Incorrect antenna positioning can affect antenna performance.

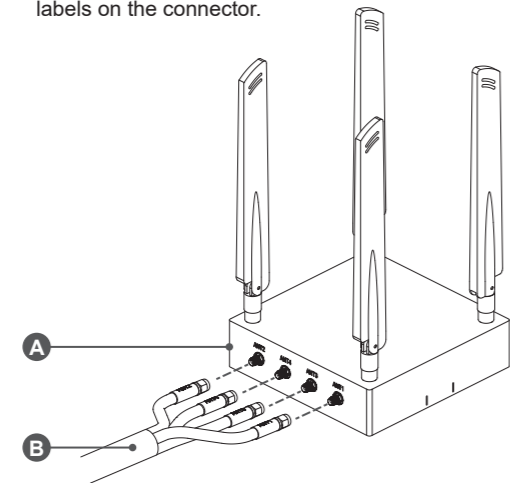


### Rail Mount Assembly

1. Connect the four paddle antennas to the Extended Antenna Mount (Part A) ports. Ensure the antennas are securely screwed in for optimal performance as illustrated below.

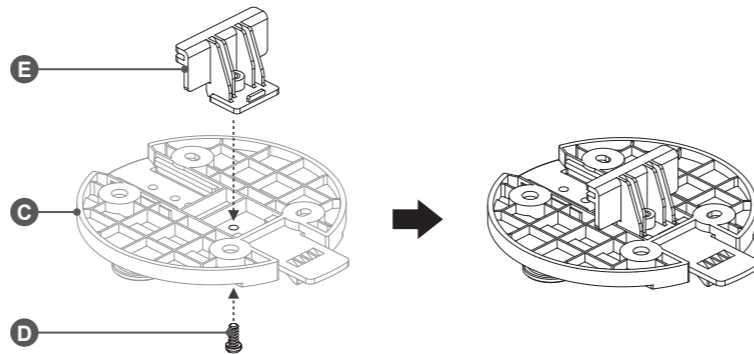


2. Attach the cable assembly to the 4 SMA connectors on the side of the Extended Antenna Mount (Part A). Ensure the labels on the cable match the labels on the connector.

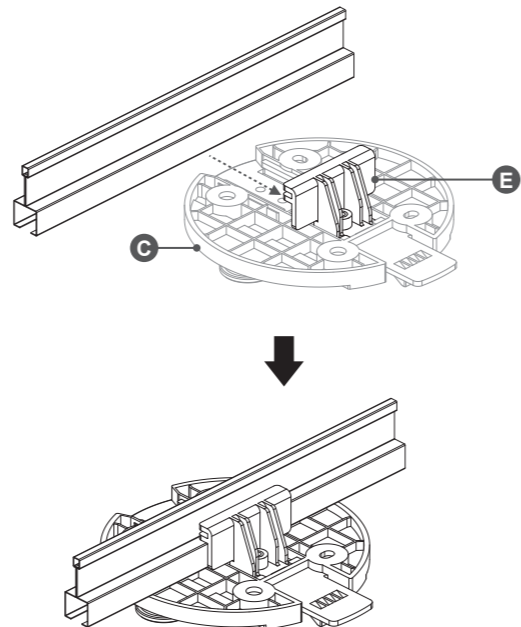


**Warning:** SMA connectors should not be torqued more than 5 in-lbs.

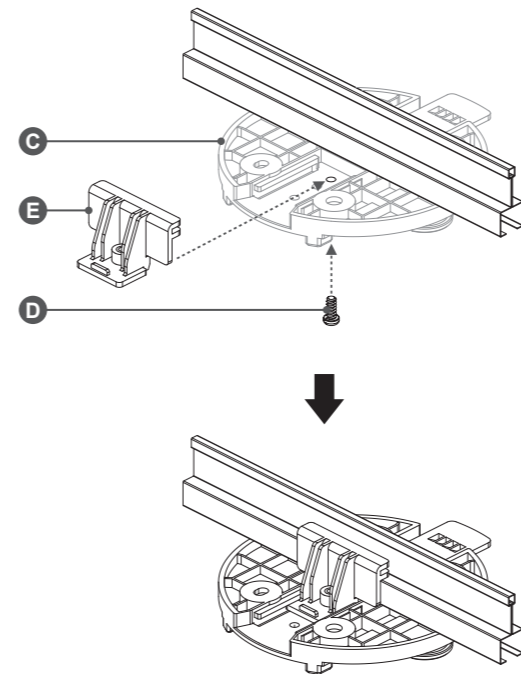
3. Secure the hook (Part E) onto the back of Mounting Bracket (Part C) with screw (Part D), ensuring that the screws are tightened.



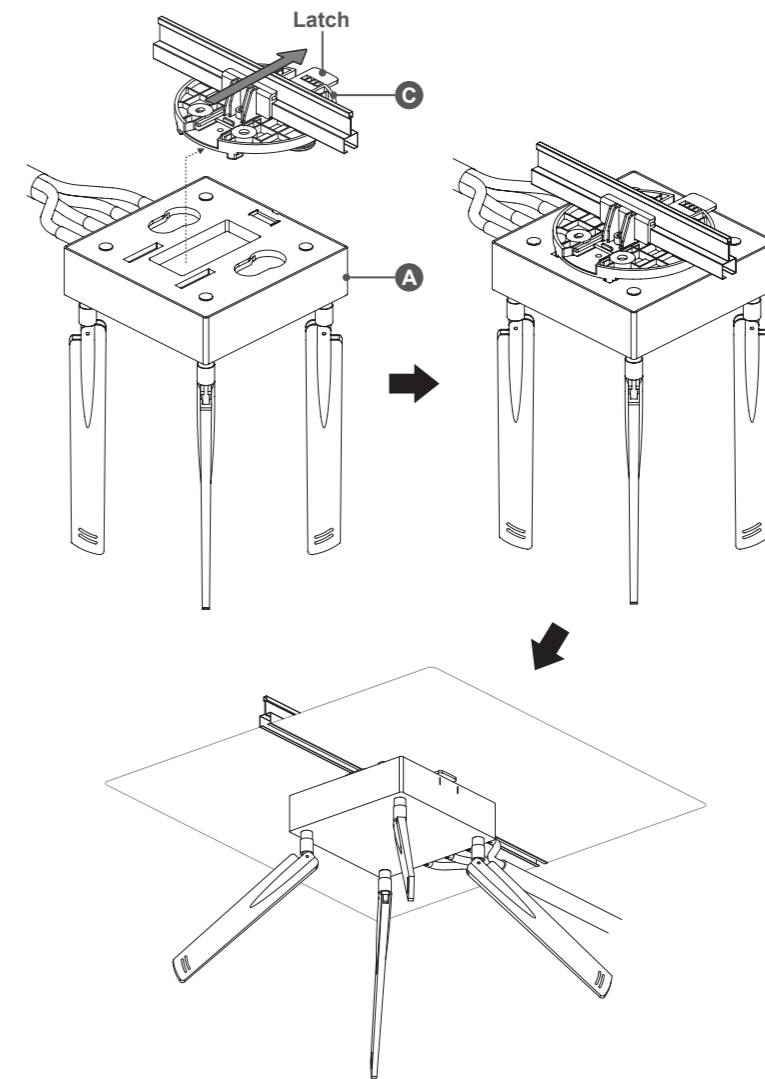
4. Place the Mounting Bracket (Part C) on one side of the rail as illustrated below.



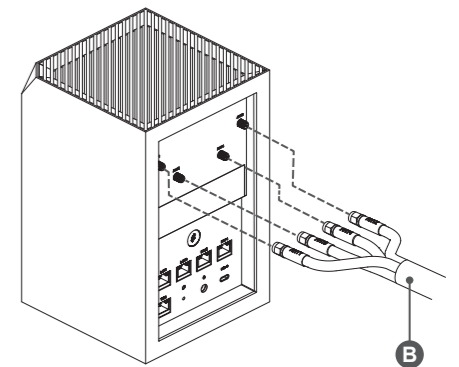
5. Secure the other hook (Part E) onto the Mounting Bracket (Part C) using screws (Part D) to ensure a tight fit. Slide the other hook in place to ensure a tight fit on the rail. Secure in place by tightening the provided screw as illustrated below.



6. Combine the Extended Antenna Mount (Part A) to the bracket (Part C) on the rail, and slide it towards the bracket latch until you hear a clicking sound.

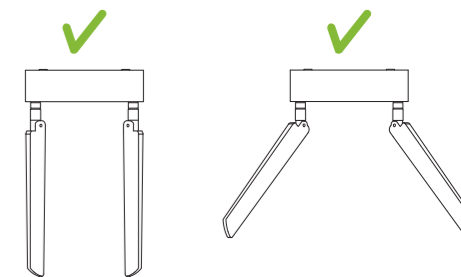


7. Attach the other end of the cables to 4 SMA connectors on the back of the Business Internet Gateway.



**Warning:** SMA connectors should not be torqued more than 5 in-lbs.

• Position the antennas as illustrated below. Ensure the Mount is firmly secured on the rail through screw.



**Warning:** Incorrect antenna positioning can affect antenna performance.

