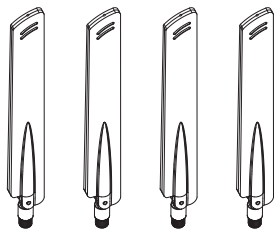


Installation Instructions > Paddle Antenna

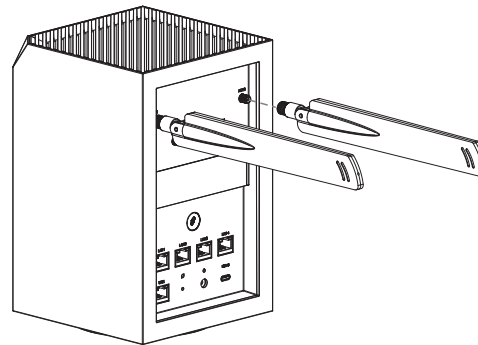
Accessories



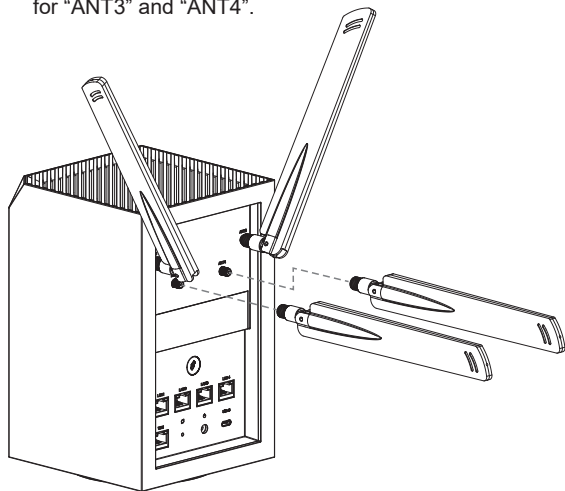
Paddle Antenna x4

Antenna Assembly

1. Firmly hand tighten antennas to "ANT1" and "ANT2" connectors on the rear of the device so that it is securely attached. Do not use any tools.



2. Position "ANT1" and "ANT2" antennas in the flared out alignment as illustrated below. Proceed to installing remaining antennas on connectors for "ANT3" and "ANT4".



3. Position "ANT3" and "ANT4" antennas to point directly up as illustrated below.

