

# Let's get started.

## Mounting Bracket

For placement and mounting instructions, visit [support.verizon.com/router/mountingbracket](http://support.verizon.com/router/mountingbracket)

### 1 Select a mounting spot.

Your optimal mounting spot should be near a power outlet and close to a window.

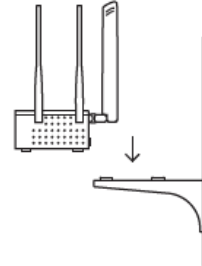
### 2 Mount the bracket to the wall.

Mark the positions of the screw holes on the wall. Drill holes for the screws using a 1/4 in. drill bit. If required, insert anchors in the drilled holes and recess until they are flush with the wall. Screw in the mounting screws in position and slide the bracket onto the screws.



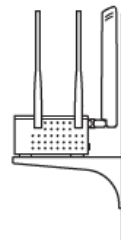
### 3 Connect the cables.

Run the cables through the opening on the bracket and connect them to the Gateway.



### 4 Align the router and lock in place.

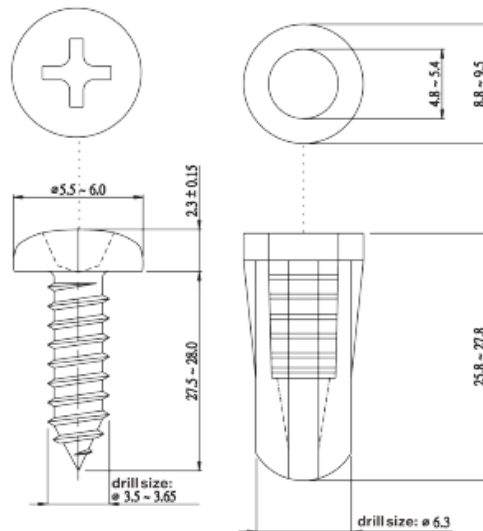
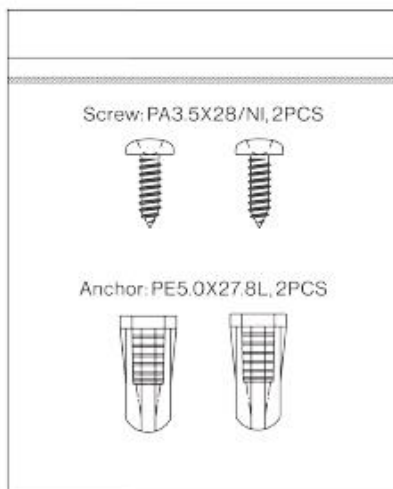
Place the Gateway on the bracket and push the device back so the feet of the device latch into the hooks of the bracket.



### Removing the Gateway.

If there is a need to remove the Gateway from the bracket, pull the hook release under the bracket on the right side and slide the device forward.

## Wall Mounting Screws



Unit: mm