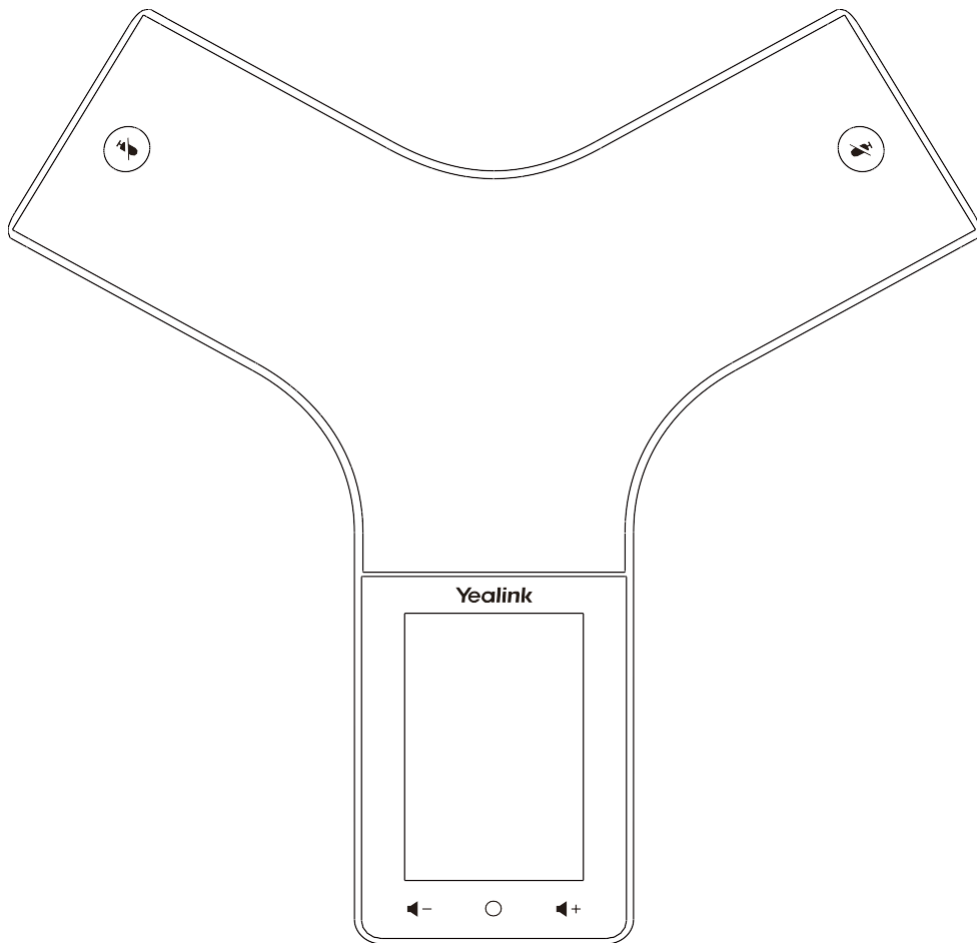


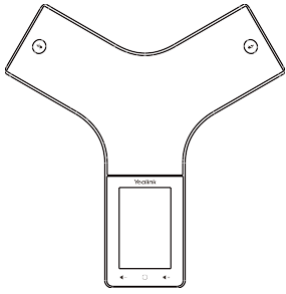
# One Talk CP925

## IP Conference phone

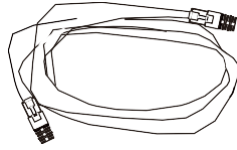


Quick Start Guide

# Package Contents



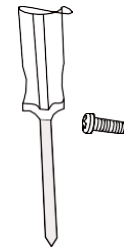
CP925



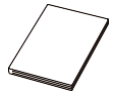
Ethernet Cable  
(7.5m CAT5E UTP cable)



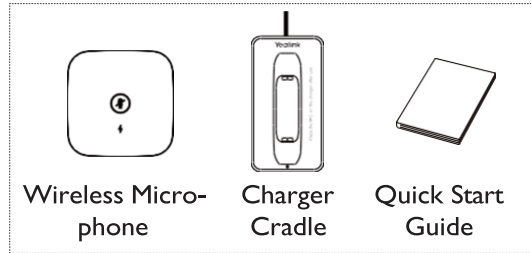
Power Adapter



Screwdriver  
and Screw



Quick Start  
Guide

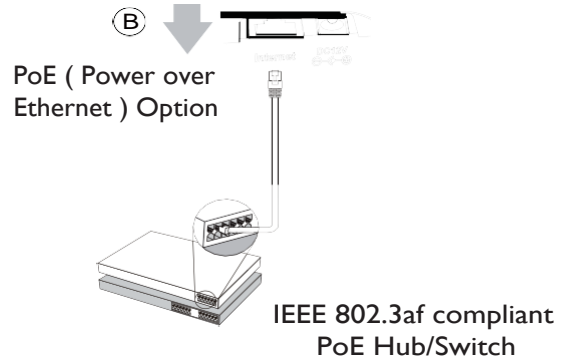
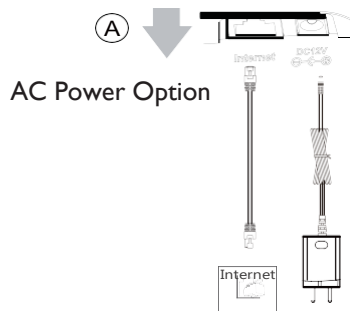
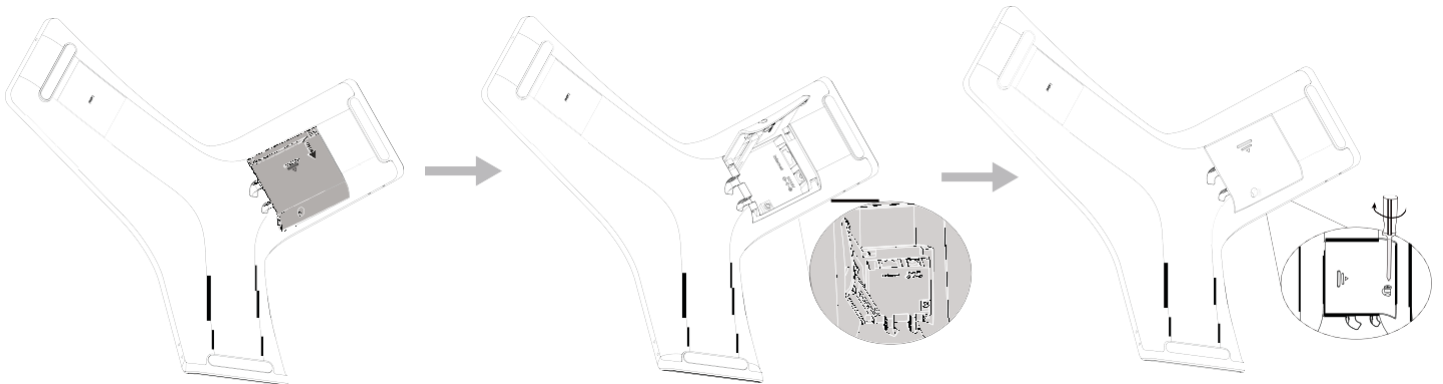


Bluetooth Wireless Microphone  
CPW25 (Optional)

**Note:** We recommend that you use the accessories provided or approved by Verizon. Other third-party accessories may result in reduced performance.

## Assembling the Phone

Connect the power and wired network.



You can also connect to the wireless network after startup. Refer to **Wireless Network Connection** mentioned below for more information.

**Note:** The IP phone should be used with Yealink original power adapter (12V/1.25A) only. If inline power (PoE) is provided, you don't need to connect the power adapter. Make sure the hub/switch is PoE-compliant.

# Wireless Network Connection

1. Tap **More->Basic Settings->Wi-Fi**.

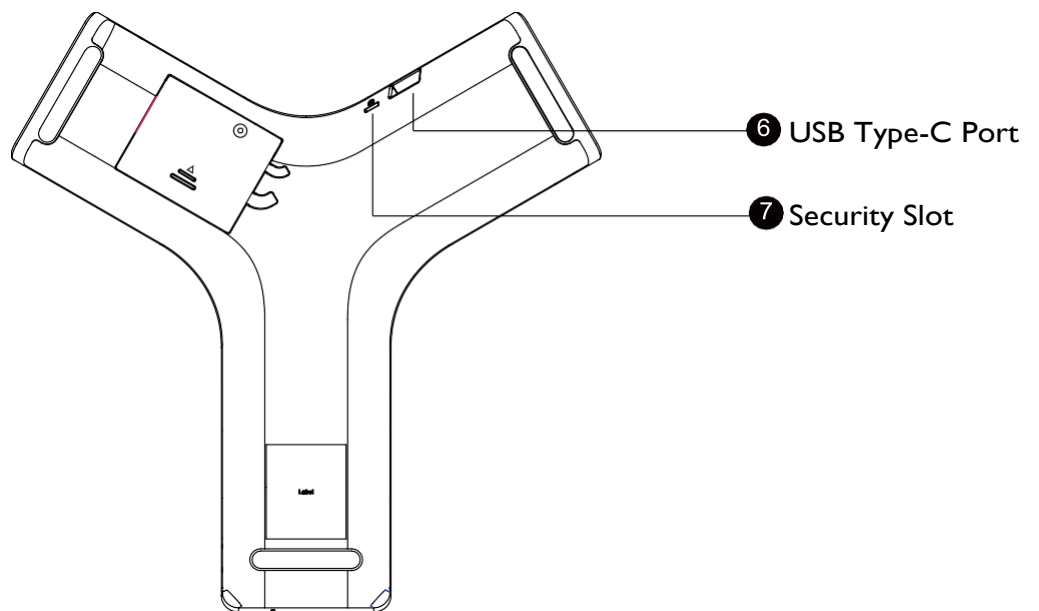
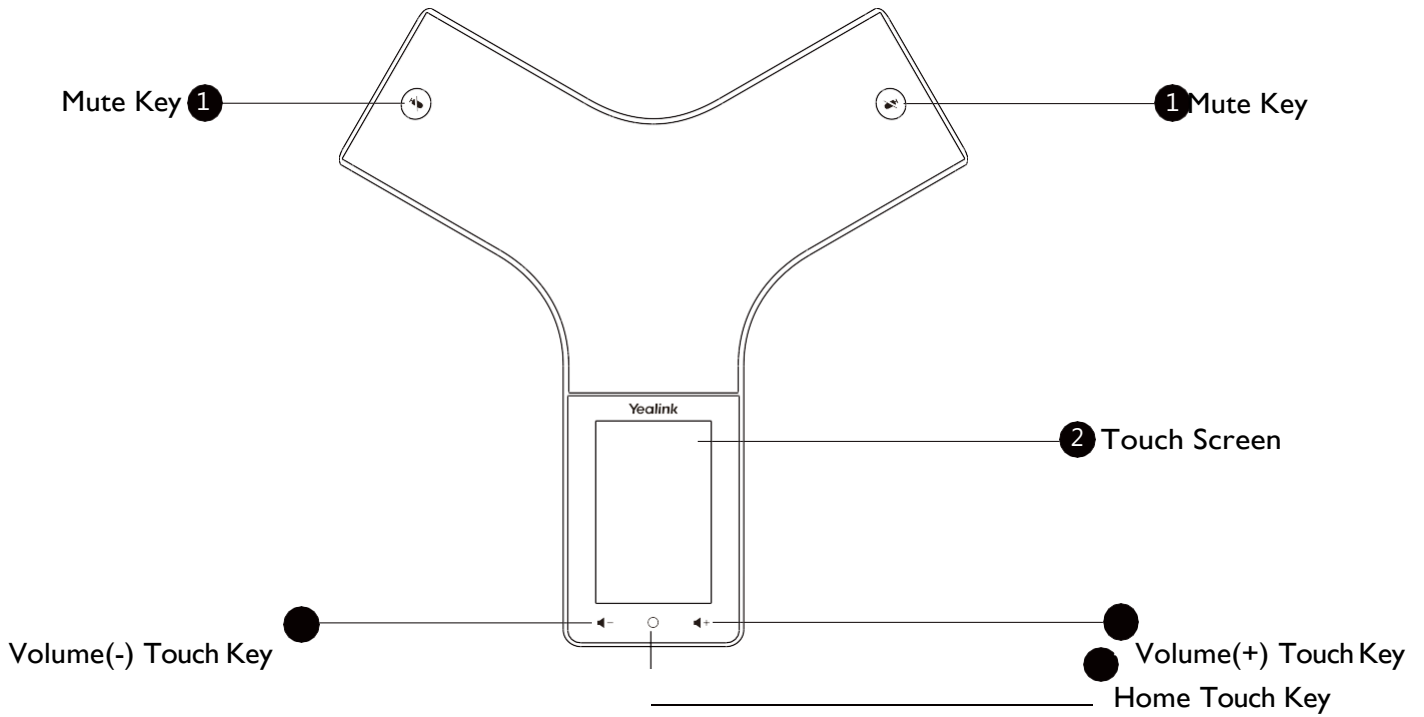
2. Turn **Wi-Fi** on.

The phone will automatically search for available wireless networks in your area.

3. Tap an available wireless network to connect.

4. If the network is secure, enter its password in the **Password** field, and then tap the **Save** soft key.

## Features



## **Regulatory Notices**

### **Operating Ambient Temperatures**

- Operating temperature: +14 to 122°F (-10 to 50°C)
- Relative humidity: 5% to 90%, noncondensing
- Storage temperature: -22 to +160°F (-30 to +70°C)